

# Instruction Manual

## Shaker Accessory Platform

## TABLE OF CONTENTS:

### Section 1- General Information

- 1.1 Warranty
- 1.2 Unpacking
- 1.3 Package Contents
- 1.4 Description
- 1.5 Unit Comparison Chart

### Section 2- Set Up

- 2.1 Handling
- 2.2 Location
- 2.3 Motion Length
- 2.4 Assembly

### Section 3- Operation

- 3.1 Power
- 3.2 Agitation Style
- 3.3 Shaking Speed

# Section 1 - General Information

## 1.1 Warranty

The Manufacturer agrees to correct for the original user of this product, either by repair, or at the manufacturer's election, by replacement, any defects in material or workmanship which develop within 12 months after delivery of this product to the original user. In the event of replacement, the replacement unit will be warranted for the remainder of the original 12 month period or 90 days, whichever is longer.

If this product should require service, contact the manufacturer office nearest your location for instructions (for a complete list of offices, see your manufacturer catalog.) When return of the product is necessary, a return authorization number will be assigned and the product should be shipped, transportation charges pre-paid, to the indicated service center. To insure prompt handling, the return authorization number should be placed on the outside of the package and a detailed explanation of the defect enclosed with the item.

This warranty shall not apply if the defect or malfunction was caused by accident, neglect, unreasonable use, improper service, or other causes not arising out of defects in material or workmanship.

There are no warranties, expressed or implied, including, but not limited to, those of merchantability or fitness for a particular purpose, which extended beyond the description and period set fourth herein.

The manufacturer's sole obligation under this warranty is limited to the repair or replacement of a defective product and the manufacturer shall not, in any event, be liable for any incidental or consequential damages of any kind resulting from use or possession of the product.

Some states do not allow (1) limitations on how long an implied warranty lasts or (2) the exclusion or limitation of incidental or consequential damages, so the above limitations or exclusions may not apply to you. This warranty gives you specific legal rights, and you may also have other rights which vary from state to state.

## 1.2 Unpacking

Each assembly is shipped in a custom designed carton. Retain the carton and all packing materials until the unit is completely assembled and working properly. If the unit is damaged or does not operate properly, contact the transportation company and file a damage claim and contact the company from which the unit was purchased. Remove any packing material which may have fallen into the unit during shipping.

**Never lift by the sample tray arm plate or the motor housing when moving the shaker unit. To move the shaker unit, always hold the bottom edges of the base.**

## 1.3 Package Contents

- Shaker Accessory Platform
- Instruction Manual
- Warranty card
- Cutting Template for Bath Lid
- Sample Tray Assembly Knobs

## 1.4 Description

The shaker accessory is a platform designed to work in conjunction with a 20- or 28-liter water bath. It's dual-action design provides circular or reciprocating agitation.

## 1.5 Specification Chart

	20L Bath	28L Bath
Circular Motion	Diameter 2 to 12 mm	Diameter 2 to 12 mm
Reciprocal Motion	Stroke 2 to 12 mm	Stroke 2 to 12 mm
Agitation Speed	30 to 180 RPM	30 to 180 RPM
Display	LED	LED
Base Platform Dimensions (in.)	26 <sup>1</sup> / <sub>4</sub> x 17 <sup>1</sup> / <sub>2</sub> x 4 <sup>1</sup> / <sub>4</sub>	26 <sup>1</sup> / <sub>4</sub> x 17 <sup>1</sup> / <sub>2</sub> x 4 <sup>1</sup> / <sub>4</sub>
(W x L x H) (cm)	66.7 x 44.5 x 10.8	66.7 x 44.5 x 10.8
Overall Dimensions (in.)	26 <sup>1</sup> / <sub>4</sub> x 17 <sup>1</sup> / <sub>2</sub> x 16 <sup>1</sup> / <sub>2</sub>	26 <sup>1</sup> / <sub>4</sub> x 17 <sup>1</sup> / <sub>2</sub> x 18 <sup>1</sup> / <sub>2</sub>
(W x L x H) (cm)	66.7 x 44.5 x 42	66.7 x 44.5 x 47
Working Access Dimensions (in.)	14 x 9 <sup>1</sup> / <sub>4</sub>	14 x 9 <sup>1</sup> / <sub>4</sub>
(W x L) (cm)	35.5 x 23.5	35.5 x 23.5

## Section 2 - Set Up

### 2.1 Handling

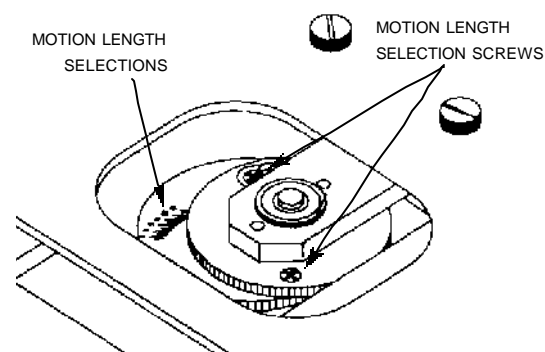
Never lift by the sample tray arm plate or the motor housing when moving the shaker unit. To move the shaker unit, always hold the bottom edges of the base.

### 2.2 Location

Place the unit on a level surface. Allow at least 3<sup>1</sup>/<sub>2</sub> inches of clearance on either side and rear of the base to provide unrestricted motion of the sample tray arms. Locate the water bath in an area free from drafts and direct sunlight.

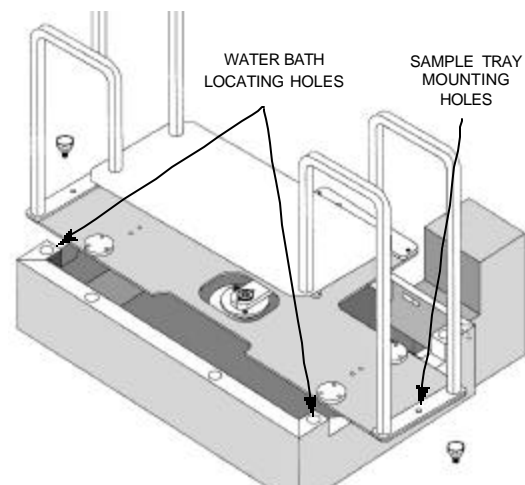
### 2.3 Motion length

Disconnect main power of the unit before changing the stroke length or the circular diameter. Locate the upper disc with the indicator line and the lower disc with the length and diameter indicators. Loosen the two motion length selection screws and adjust by rotating the upper disc, then tighten the screws (avoid over tightening as the screws or the disc threading may strip.) See figure



### 2.4 Assembly

Disconnect power cord before assembly. Place the shaker accessory unit on a level surface. Remove the hex-head screws securing the sample tray to the base with a <sup>1</sup>/<sub>2</sub>inch wrench. Position the water bath such that bath's feet fit into the four locating holes at the top of the shaker's base, making sure the bath is also level. Place the sample tray into the water bath. Align the sample tray arms to the platform's sample tray mounting holes and secure by replacing the hex-head screws or use the optional sample tray assembly knobs. See figure



## Section 3 - Operation

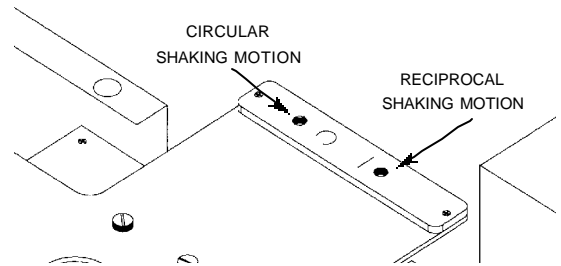
### 3.1 Power

Check that all moving parts are free of all restrictions or obstructions. Plug unit into a properly wired, grounded outlet with the same voltage and frequency as indicated on the identification tag on the back of the unit. Switch the power to the I / ON position. If there is any abnormal noise, switch the unit off immediately and review the set up procedure.

### 3.2 Agitation Style

The position of the agitation selection knob on the back of the unit will set the agitation style. Switch off power to the unit whenever making any adjustments to the shaker.

Place the agitation selection knob in the appropriate hole for the desired agitation style and tighten. See figure. Note that the control arm hole (under the shaker's platform) and the selection hole must be in alignment.



### 3.3 Shaking Speed

To select shaking speed, press the up or down arrows on front panel to obtain the desired degree of agitation. Speed is displayed on LED display.

